

Hex Cap Nut

Thread Type: Metric - Coarse

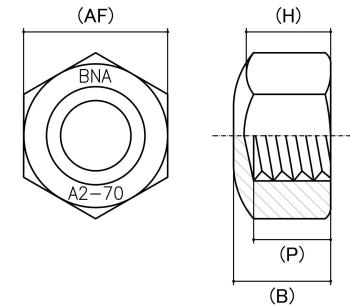
Thread Direction: Right Hand

Material: Stainless Steel

Class Grade: A2-70 G304

Corrosion Protection Level: Excellent

Standard: DIN 917



*CAD drawings shown for graphic representation only.**

Size	Thread Pitch (mm)	Thread Type	Overall Nut Height (B) (mm)		Hex Height (H) (mm)		Across Flats (AF) (mm)		Spanner Size (AF) (mm)	sku (qfind)
			Min	Max	Min	Max	Min	Max		
M4	0.70	Coarse	5.14	5.50	4.16	4.54	6.78	7.00	7	41CS4
M5	0.80	Coarse	6.64	7.00	4.96	5.44	7.78	8.00	8	41CS5
M6	1.00	Coarse	8.64	9.00	6.71	7.29	9.78	10.00	10	41CS6
M8	1.25	Coarse	11.57	12.00	9.21	9.79	12.73	13.00	13	41CS8
M10	1.50	Coarse	13.57	14.00	10.65	11.35	16.73	17.00	17	41CS10
M12	1.75	Coarse	15.57	16.00	13.15	13.85	18.67	19.00	19	41CSM12
M16	2.00	Coarse	19.48	20.00	16.65	17.35	23.67	24.00	24	41CS16
M20	2.50	Coarse	24.48	25.00	20.58	21.42	29.16	30.00	30	41CS20

Disclaimer:

Dimensional data and technical information was obtained from publically available sources and not acquired through standard agencies. It has been completed and compiled for reference purposes only; where discrepancies are found they are subject to change without notice. Bolt & Nut Australia makes no warranties or representations regarding the accuracy and validity of the compiled information and data. Contact the relevant standard authorities for accurate and detailed information.

* CAD drawings may not reflect diameter, thread length or overall length.

© Bolt & Nut Australia Pty Ltd. All rights reserved.

Version: 18 Mar 2024